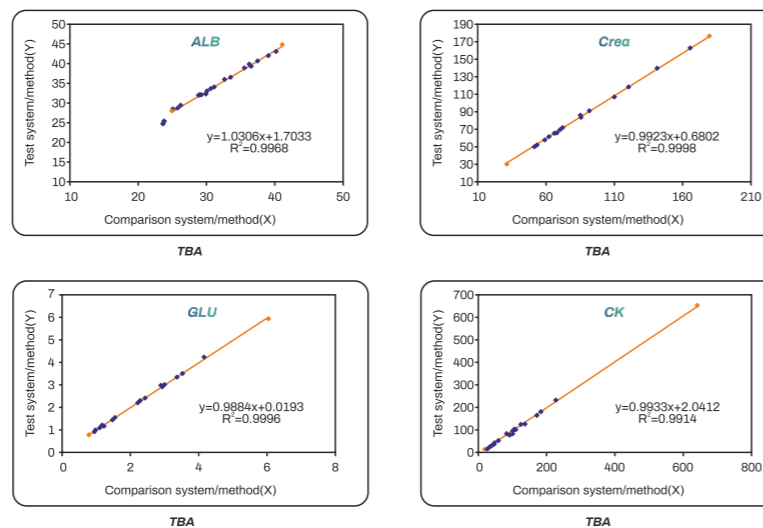


## REAGENT PERFORMANCE ANALYSIS



## REAGENT PANEL

### General Chemistry (19 GC)

CREA, UREA, UA, ALB, TP, GLU, TC, TG, HDL, ALP, GGT, TB, DB, CHE, TBA, ALT, AST, CK, AMY, GLOB\*, U/C\*, A/G\*, LDL\*

### Up Coming Panels

#### Diabetic panel\*

HbA1c

#### Electrolyte Panel\*

Ca, Cl, K, Mg, Phos, Na, TCO2

#### Liver Panel\*

ALB, ALT, ASP, ALP, DB, GGT, TB, TP, A/G\*, Glob\*, Ibil\*.

#### General Chemistry (9 GC)\*

Urea, Crea, Glu, ALT, AST, UA, HDL, LDL\*, TC, Tg

#### Cardic Panel\*

AST, LDH, HBDH, CK, CK-MB

#### Inflammation\*

CRP

#### Renal Panel\*

Ca, Crea, Glu, UA, TCO2, Phos, Urea

### Matrix Labs Diagnostics Private Ltd.,

S.No-114/13A, 13B, 12B, 12A2, Ground Floor,  
 Ponniamman Koil Street, Noombal,  
 Chennai-600077, Thiruvallur District, Tamilnadu, India.  
 +91-044-26793885, Toll free : 18001201713,  
 info@matrixlabs.in, www.matrixlabs.in



“Touching Human Lives Through Innovation”

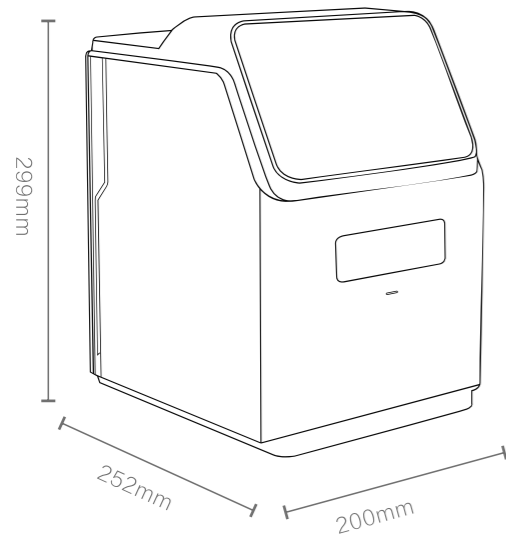
# SD1<sup>POCT</sup> Auto Dry Biochemistry Analyzer



Immediate Results Anywhere Anytime

- Single test available
- Flexible combinations
- Up to 3 samples per run

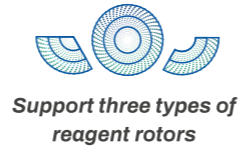




## SD1

### Auto Dry Biochemistry Analyzer POCT biochemical analyzer integrating conventional biochemistry and electrolyte detection

Equipped with the latest medical and technological innovations, we have invented a state-of-the-art portable SD1 Automatic Biochemistry Analyzer which provides a better, faster and more accurate diagnosis for blood analysis.



## ADVANTAGES



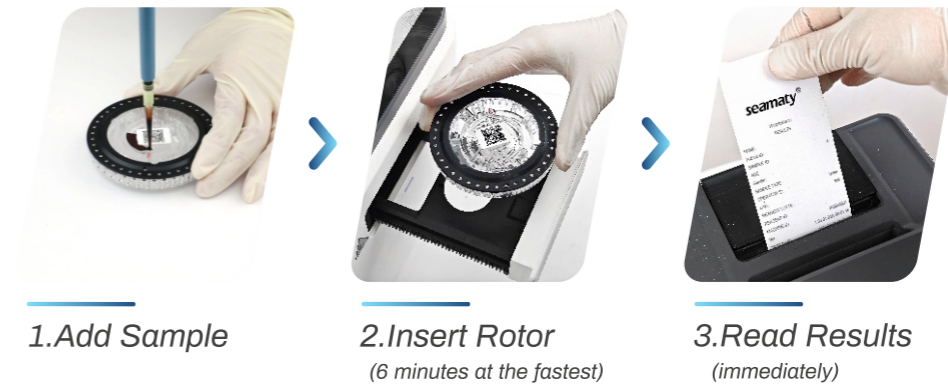
## SPECIFICATION

<b>Sample type</b>	Whole blood, serum, plasma, capillary blood
<b>Sample volume</b>	Circular reagent rotor: 100µl; Coagulation rotor: 300µl; Sector reagent rotor: 60µl
<b>Testing time</b>	>6 minutes /run
<b>Temperature</b>	37 °C±0.3 °C
<b>Absorbance</b>	0-3.0Abs(0.001Abs)
<b>Work condition</b>	Temperature: 10-30 °C Humidity: ≤85%
<b>Weight</b>	4Kg

<b>Light source</b>	Halogen tungsten lamp's shelt life is over 2500 hours
<b>Display</b>	7 inch 800*480 multi-touch screen, Android system, multi-language support
<b>Rated power</b>	100VA
<b>Storage</b>	MAX 500,000 results
<b>QC &amp; Calibrate</b>	Automatic and real-time
<b>Connectors</b>	4 USB interfaces, 1 LAN interfaces
<b>Testing method</b>	End-point, kinetic, two-point
<b>Printer</b>	Built-in thermal printer

## EASY 3-STEP OPERATION Circular Reagent Rotor

All steps are automated from centrifugation, dilution, quality control to test result printing.



## EASY 4-STEP OPERATION Sector Reagent Rotor



## APPLICATION SCENARIOS

